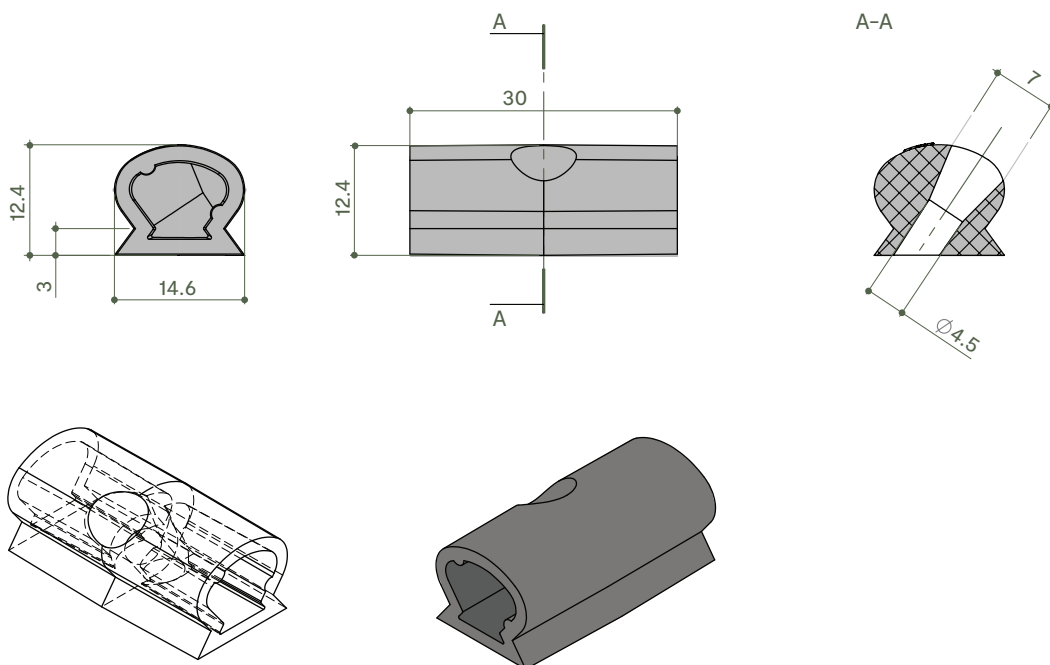


BROLIS TIMBER HIDDEN DECKING FASTENER BROFIX

PRODUCT FEATURES

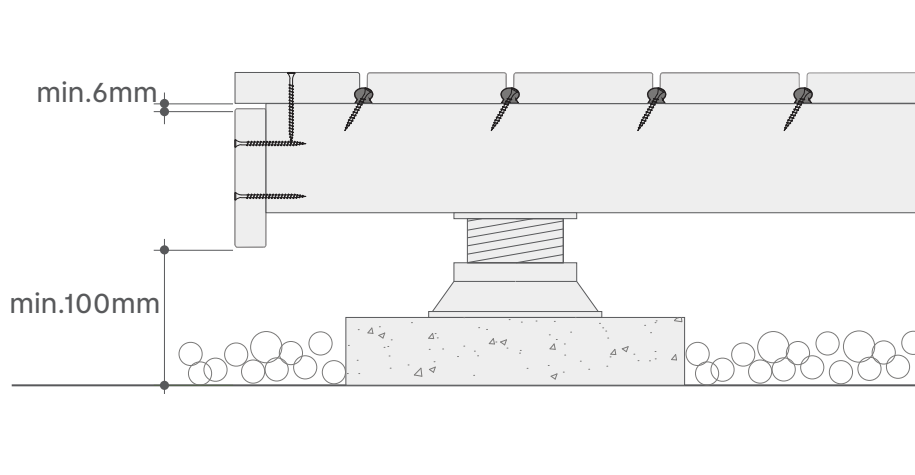
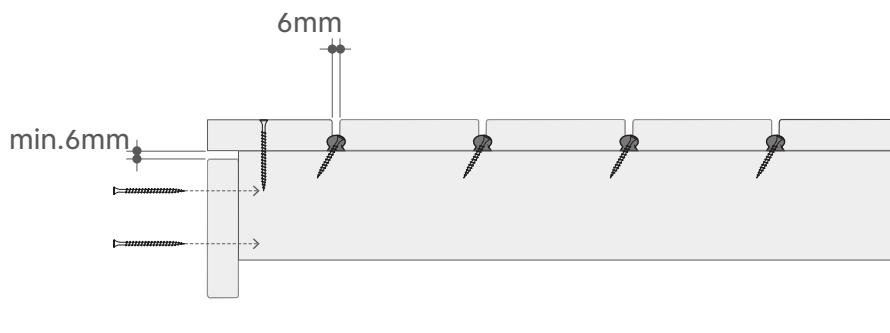
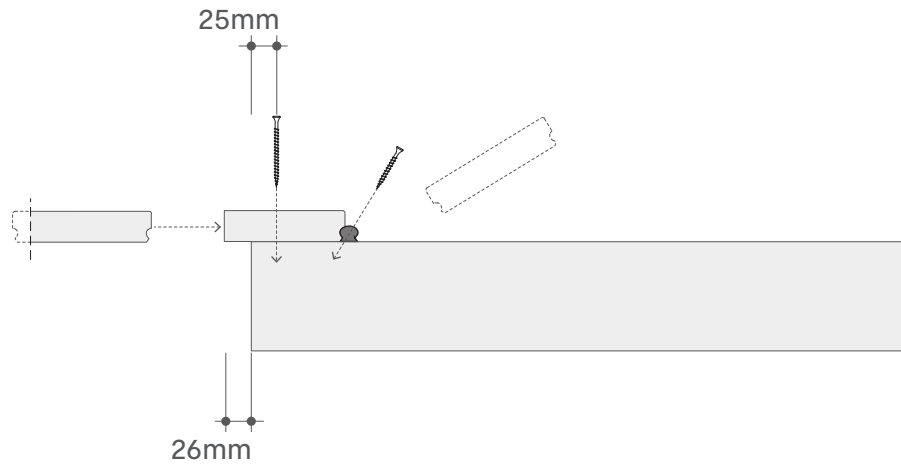
BROfix details are manufactured from high performance recyclable engineering nylon (PA-6 polyamide). They exhibit high strength, exceptional UV, temperature, and fatigue resistance (tested in a temperature shock chamber from -50° to $+80^{\circ}$, RH 0-95%), making them suitable for use in a variety of climates.

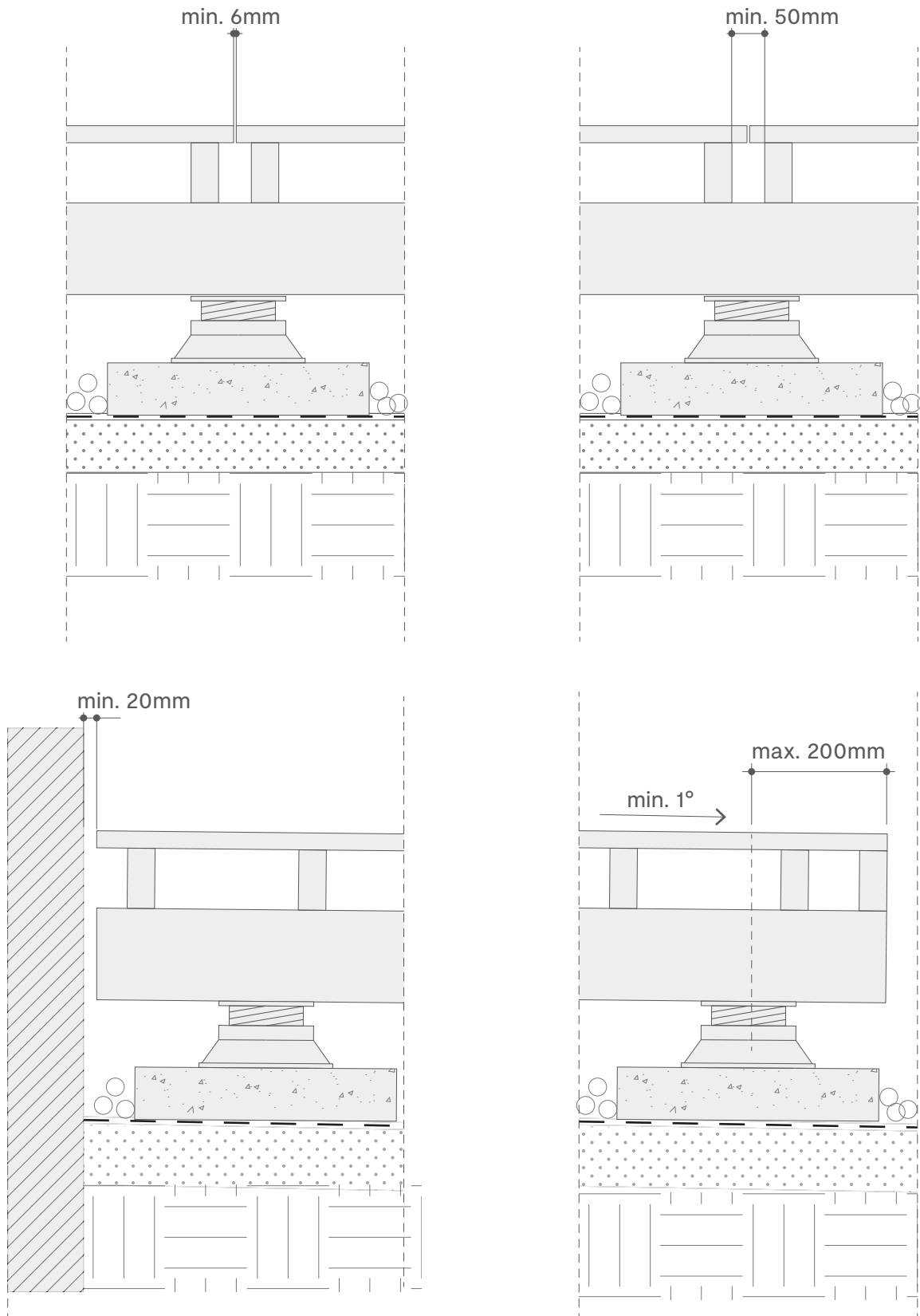
SPECIFICATIONS

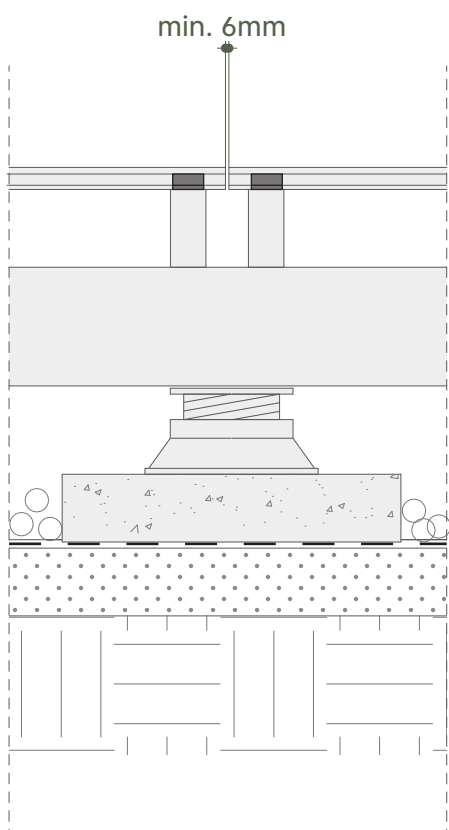
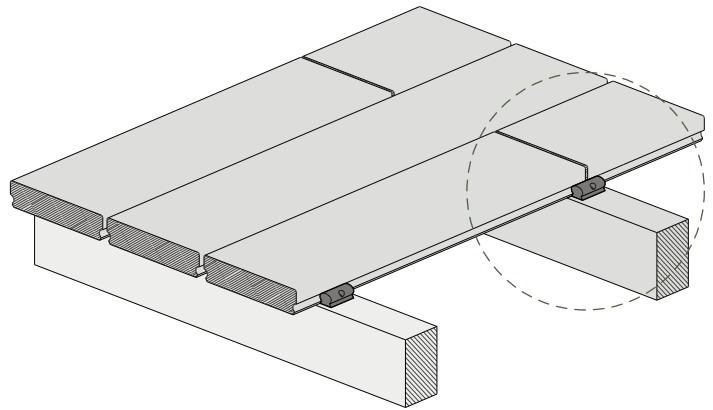
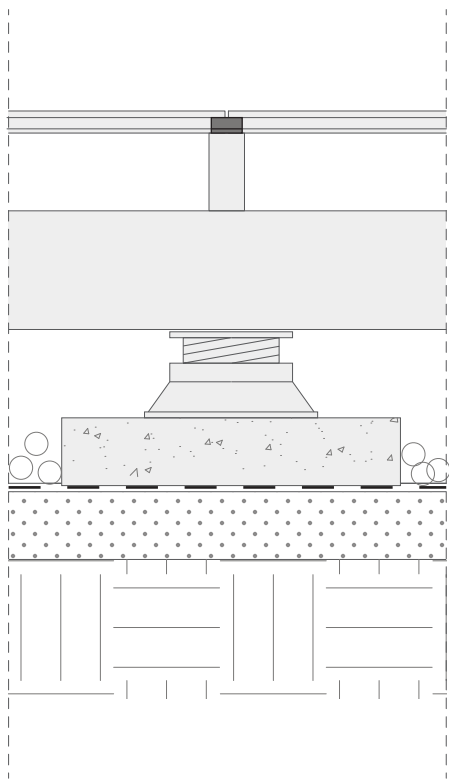
Dimensions: Length 30 mm, Width 14.6 mm, Height 12.4 mm
 Required quantity: 2.2 pcs/m
 Colour: Grey

BENEFITS

- The decking is easier and quicker to install.
- Details ensure 6 mm gaps between boards.
- Half the number of screws and shorter screws required.
- Decking looks contemporary with no visible fasteners.







min. 6mm

